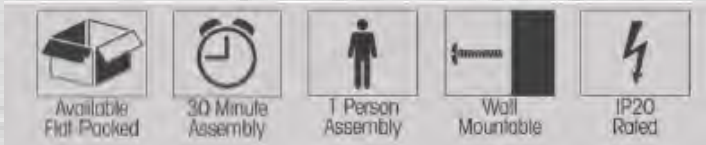


Cabinets & Accessories

Wall Cabinet

PRODUCT SPECIFICATIONS

Wall-mounted cabinets are a cost-effective solution that is both aesthetically pleasing and durable. Designed to be installed in data centres, equipment rooms and office environments to mount telecommunication, data communication, security, broadcasting and other electronic equipment.

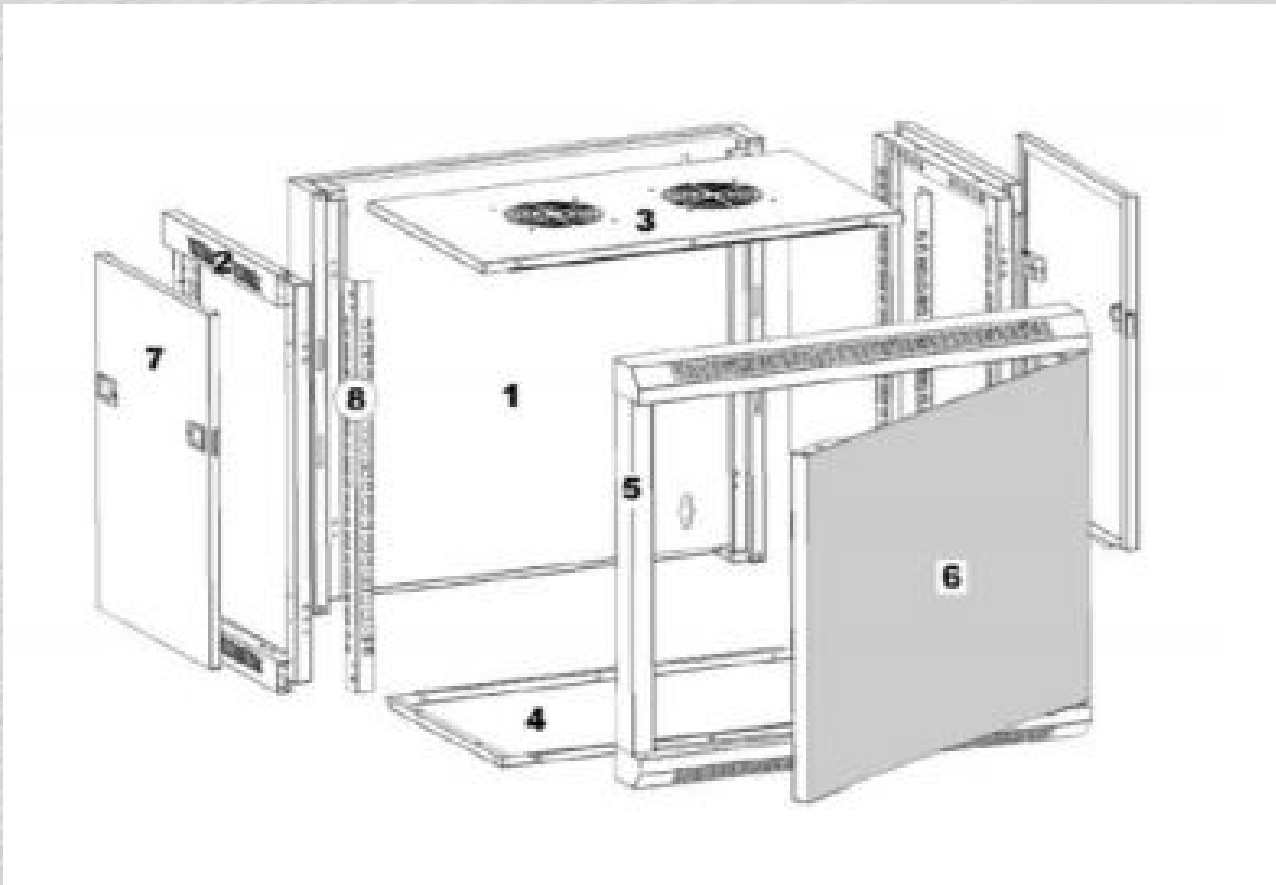


TECHNICAL SPECIFICATIONS

Construction Type	Welded
Cable Entries	Top and Bottom
Lockable Profiles	Front Only
Mounting Profiles	Front Only
Fan Cut-Outs	Top Only

Cabinets & Accessories

Wall Cabinet



PRODUCT SPECIFICATIONS

Part	Material	Surface
Top Panel	SPCC Cold-Rolled Steel 1.0mm	Powder coated
Frame	SPCC Cold-Rolled Steel 1.0mm	Powder coated
Front Door	Toughened Glass 5mm/ SPCC Cold-Rolled Steel 1.2mm	Powder coated
Side panel	SPCC Cold-Rolled Steel 1.0 mm	Powder coated
Back panel	SPCC Cold-Rolled Steel 1.2 mm	Powder coated
Bottom Panel	SPCC Cold-Rolled Steel 1.0mm	Powder coated
Mounting Bracket	SPCC Cold-Rolled Steel 1.2mm	Powder coated

Cabinets & Accessories

Wall Cabinet

ORDERING INFORMATION

Model	Colour	Width (mm)	Depth (mm)	U size	Height (mm)
E	Black, Grey	600	300	4	280
E	Black, Grey	600	450	4	280
E	Black, Grey	570	300	6	370
E	Black, Grey	570	450	6	370
E	Black, Grey	570	600	6	370
E	Black, Grey	570	300	9	500
E	Black, Grey	570	450	9	500
E	Black, Grey	570	600	9	500
E	Black, Grey	570	300	12	635
E	Black, Grey	570	450	12	635
E	Black, Grey	570	600	12	635
E	Black, Grey	570	300	15	770
E	Black, Grey	570	450	15	770
E	Black, Grey	570	600	15	700
E	Black, Grey	570	300	18	900
E	Black, Grey	570	450	18	900
E	Black, Grey	570	600	18	900

For any queries, please contact Technoline Solutions team using the details below.